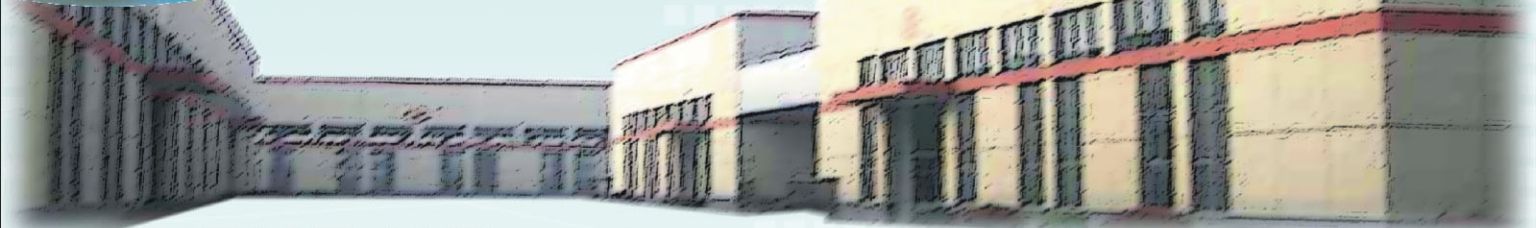




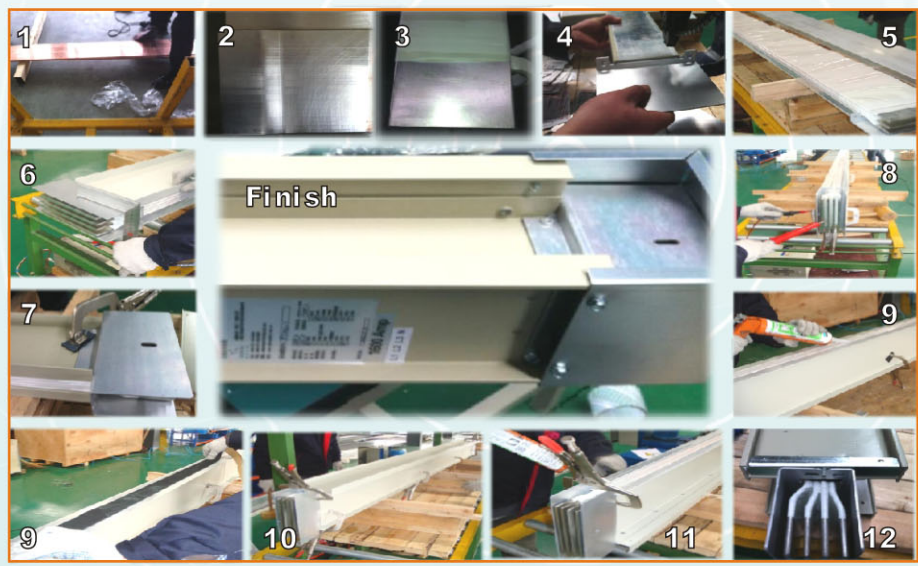
# Busway Trunking System



# ABOUT US

**OPTIMUS** busway trunking systems with strong R&D resource, perfect quality and satisfactory service, which have successfully completed many projects to overseas and local market. With the continuing product research and development process carried out by Mega Technology(Zhenjiang) Co.,Ltd, we are able to provide uniquely designed and highly reliable products. This is achieved by adopting sophisticated thermodynamic design applications and quality manufacturing methods to deliver high performance products to our customers.

# PRODUCTION PROCESS



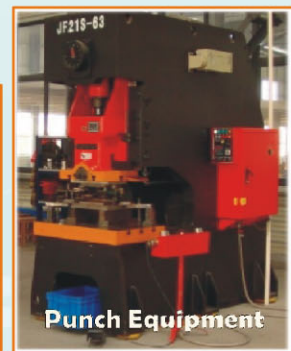
CNC Punching Machine



CNC Shearing Machine

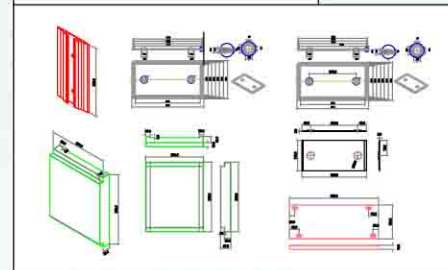
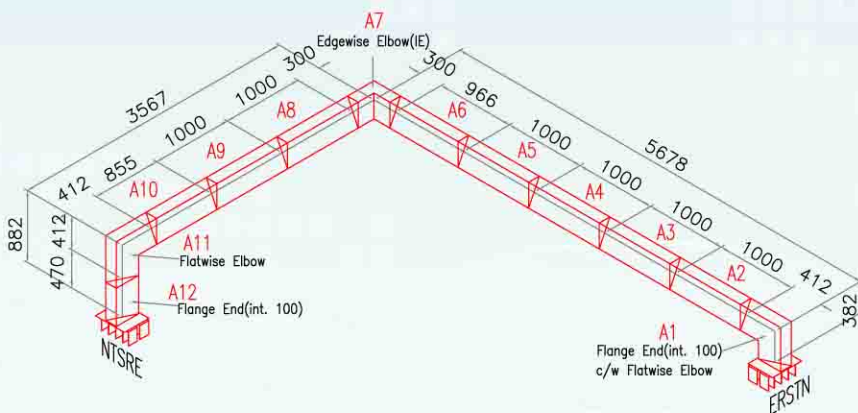
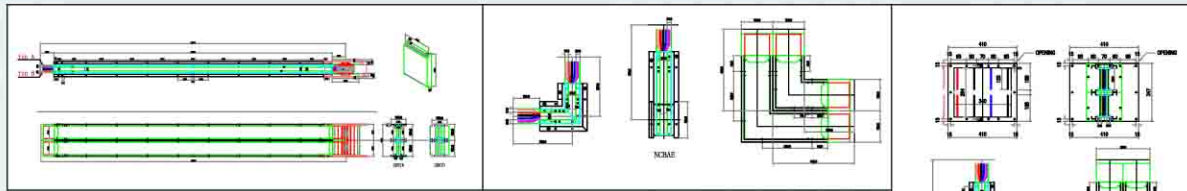


CNC Bending Machine



Punch Equipment

# RESEARCH & DEVELOPMENT



# OUR PRODUCTS



The accessories include :

- Feeder busduct
- Plug-in busduct
- Flatwise elbow
- Edgewise elbow
- Flatwise offset
- Edgewise offset
- Combination elbow
- Flatwise tee section
- Edgewise tee section
- Flange End
- End feed box
- Expansion unit
- End cover
- Tap-off unit
- Bolt-on unit
- Horizontal clip
- Vertical fixed / spring hanger

■ Products can be flexible in design to cater to customer requirements and accommodate unique changes.

# QUALITY CONTROL

Quality is the cornerstone of our success. We have a well-established Quality Control system, fully integrated into our production process, from stringent checking of incoming goods, to standard testing of all outbound items. With this, we ensure our customers are always confident and satisfied with our products and service.

## KEMA Quality



## Conformite Europeene



■ Copper : 1000A, 1250A, 1600A, 2500A, 5000A of type test certificate (For 50 / 60Hz)

■ 630A~6300A Copper and aluminum busbars are comply with the essential safety requirements of the European Low Voltage Directive.

## China Quality Certification Centre



■ Copper & Aluminum Busway of full type test in accordance GB 7251.2-2006. Note : GB 7251.2 standard is equivalent to the IEC 60439-2.

# FUNCTION





■ Head Office :

**OPTIMUS TECHNOLOGY CO., LTD**

Add : 6F., No. 805, ZhengDe Rd Rd., ZuoYing District,  
Kaohsiung City 813, Taiwan.

Tel : +886-7-3458385 Fax : +886-7-3421424

E-mail : [salesmega@optimus-busbar.com](mailto:salesmega@optimus-busbar.com)

■ Factory :

**MEGA TECHNOLOGY (ZHENJIANG) CO., LTD**

Add : No. 97, Dagang District WuFengShan Road, ZhenJiang  
New Area, JiangSu Province, China.

Tel : +86-511-80866066 Fax : +86-511-80866068

Web : [www.optimus-busbar.com](http://www.optimus-busbar.com)

